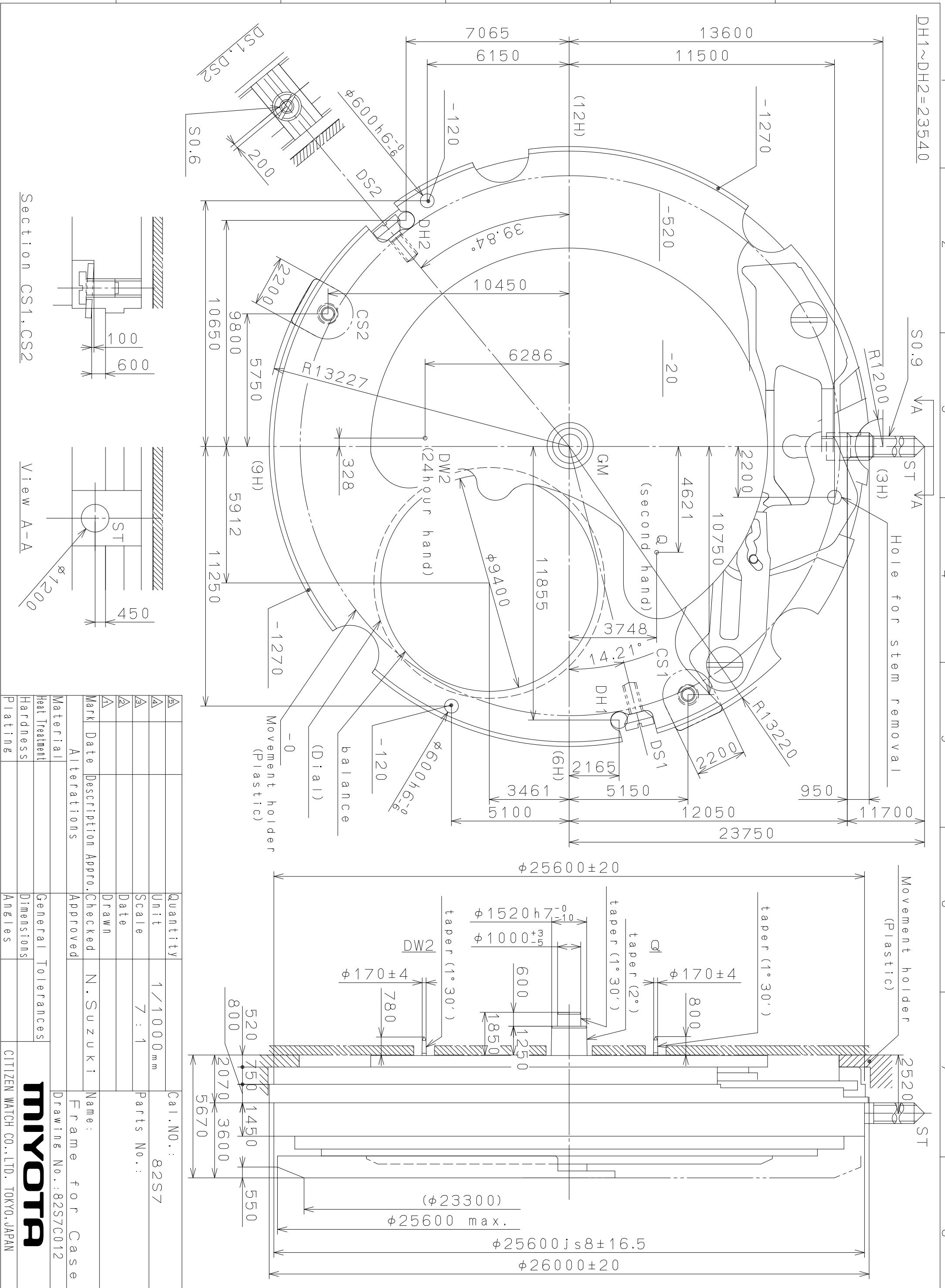


This drawing is provisional and subject to our reconfirmation and/or revision without notice.



Section CS1, CS2

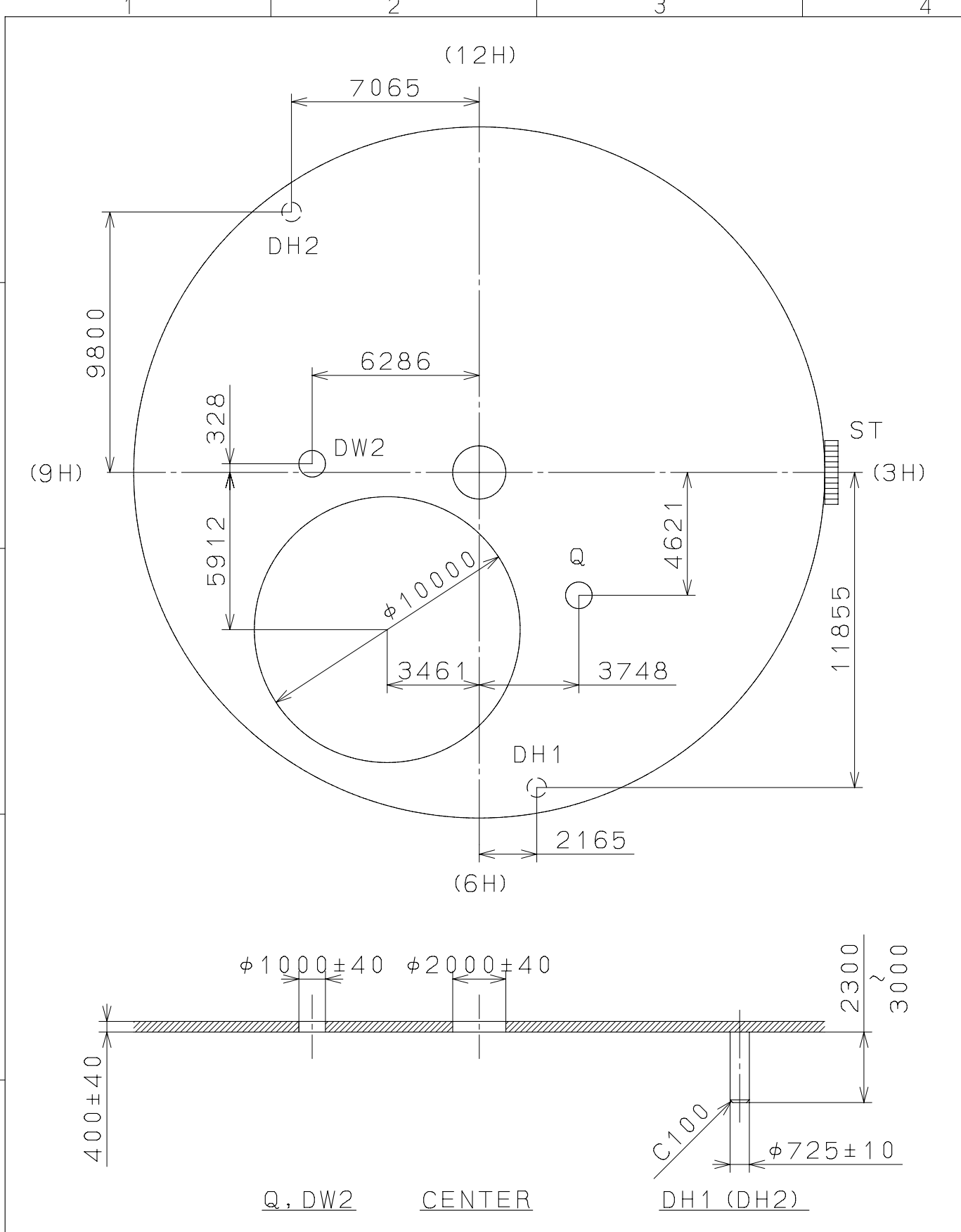
View A-A

Material	Alterations	Mark	Date	Description	Appro.	Checked	Drawn	N. Suzuki	Name:	Frame for Case
Heat Treatment										Drawing No.: 82S7C012
Hardness										
Plating										
Quantity	Unit	Scale	Date	Drawn	Checked	Appro.	Name: Frame for Case			
1	1/1000 mm	7:1					Drawing No.: 82S7C012			
							Parts No.:			
							Cal. NO.: 82S7			
							CITIZEN WATCH CO., LTD. TOKYO, JAPAN			

**MIYOTA**

2007/10/30 (08:41:42)

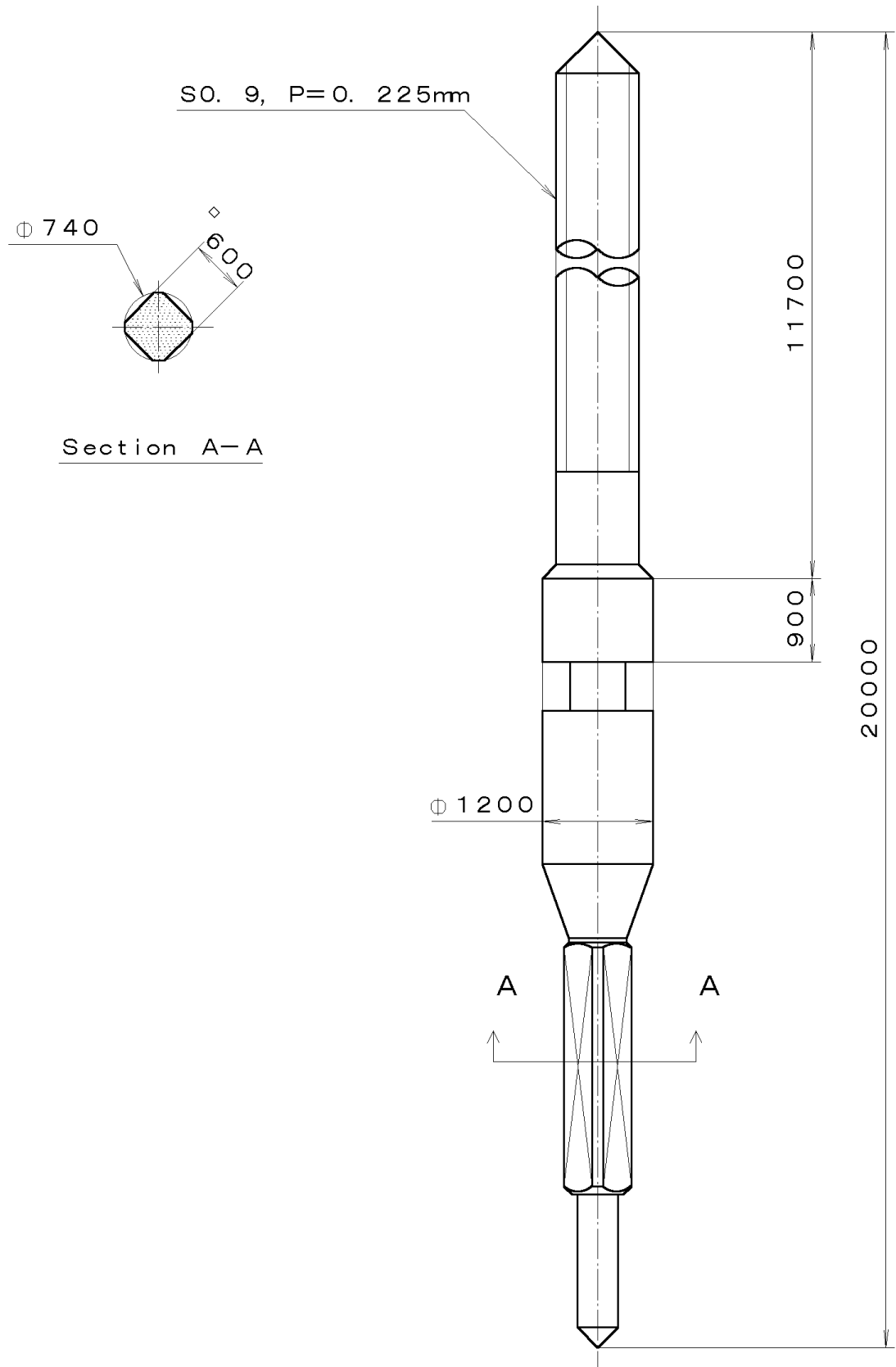
This drawing is provisional and subject to our reconfirmation and/or revision without notice.



△			Quantity		Cal.NO.:
△			Unit	1/1000mm	82S7-21A
△			Scale	5:1	Parts No.:
△			Date		
△			Drawn		
Mark	Date	Description	Appro.	Checked	Name:
		Alterations	Approved	N. Suzuki	Indications for Dial
Material					Drawing No.: 82S7D000
Heat Treatment			General Tolerances	<b>MIYOTA</b> CITIZEN WATCH CO., LTD. TOKYO, JAPAN	
Hardness			Dimensions		
Plating			Angles		

This drawing is provisional and subject to our reconfirmation and/or revision without notice.

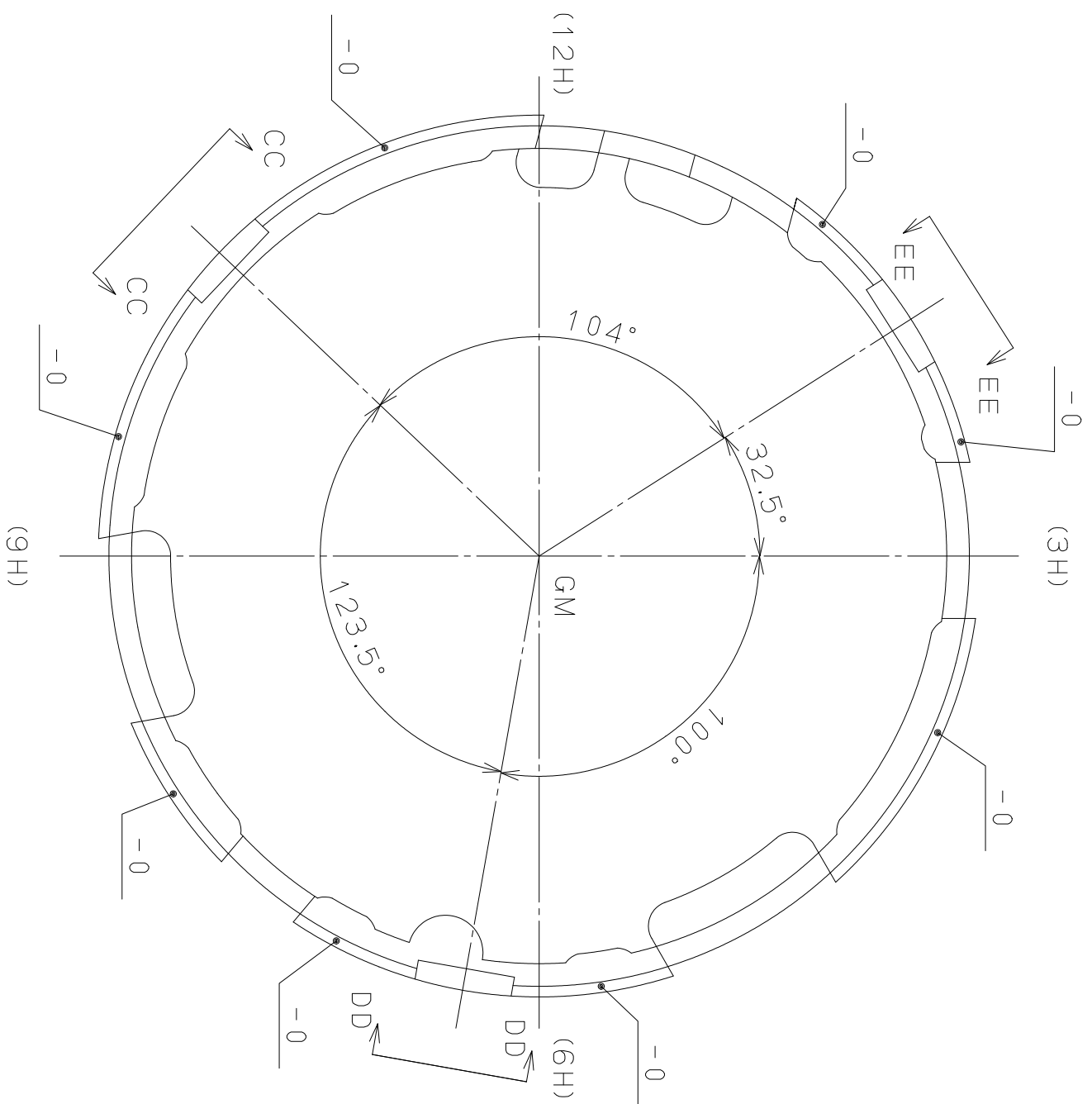
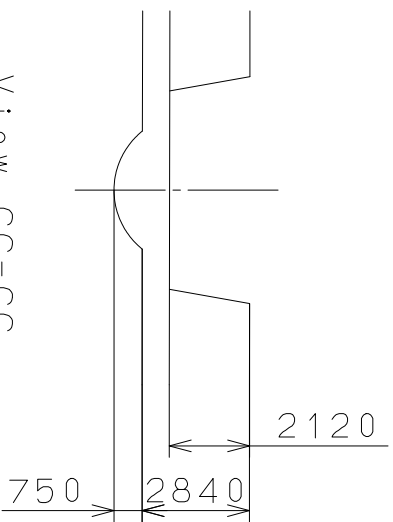
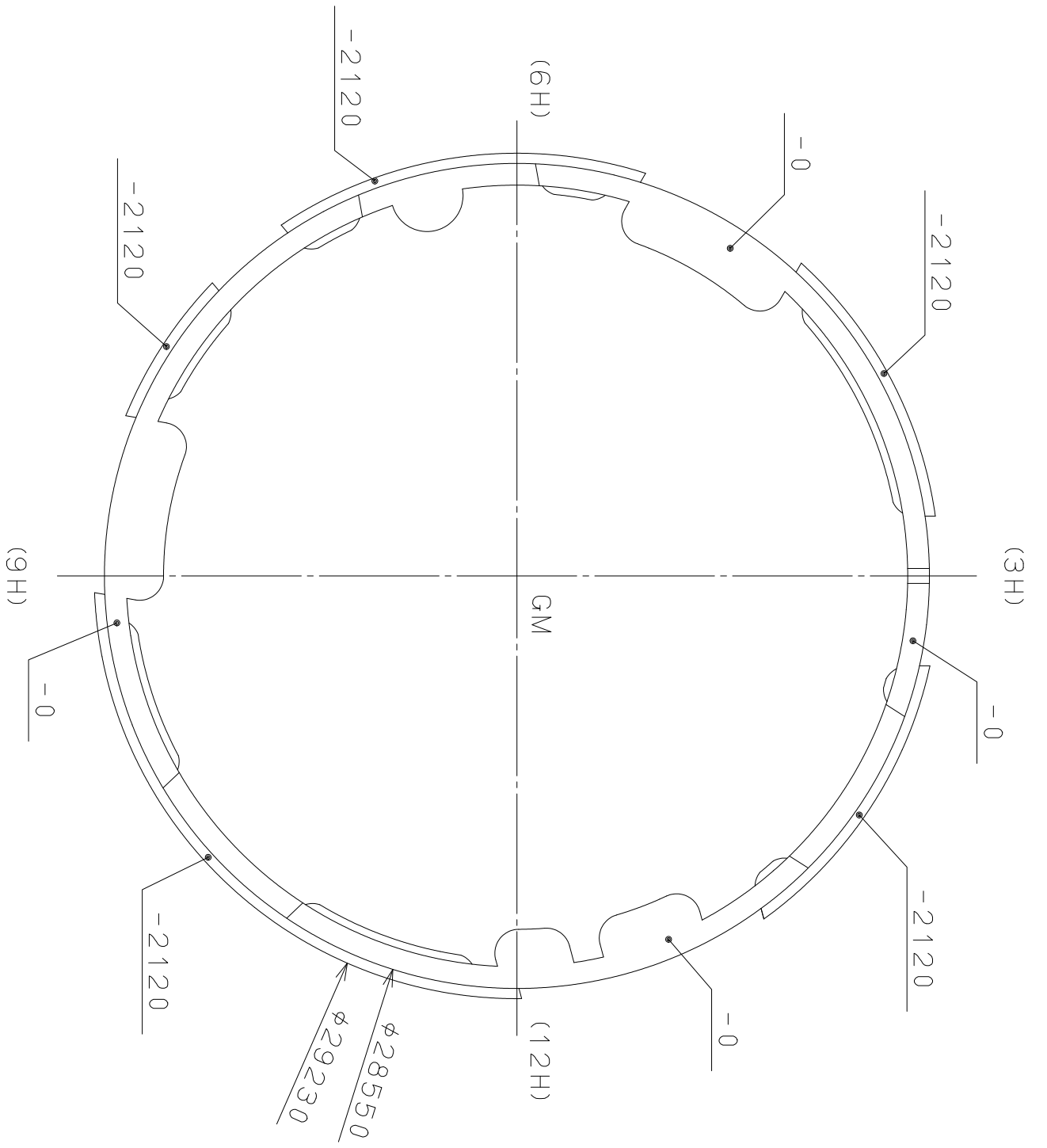
\*\*\* T I P W (01) \*\*\* (2100 1121) 00-09-18



7			Quantity		Cal. No. :
6			Unit	1/1000 mm	Parts:
5			Scale	15:1	
4			Date		065-212
3			Drawn		
2			Checked	T. Hiruta	Name:
1			Approved		SETTING STEM
Material					Drawing No. : 2120S000
Heat Treatment			General Tolerances		<b>CITIZEN</b> WATCH CO.,LTD. TOKYO, JAPAN
Hardness			Dimensions		
Plating			Angles		

F E D C B A

1 2 3 4 5 6 7 8



Quantity	1	Unit	mm	Cal. NO.:	
Scale	5 : 1	Parts No.:		Name:	Casing Holder
Date		Date		Material	
Drawn		Checked		Heat Treatment	
Approved		Approved		Hardness	
Alterations			N. Suzuki		
Date			Checked		
Description			Approved		
Mark			N. Suzuki		
Date			Checked		
Description			Approved		
Material			General Tolerances		
Heat Treatment			Dimensions		
Hardness			Angles		
Plating			CITIZEN WATCH CO., LTD. TOKYO, JAPAN		

**MIYOTA**

500-710

500-710

Cal. NO.:

Parts No.:

Name:

Casing Holder

CITIZEN WATCH CO., LTD. TOKYO, JAPAN